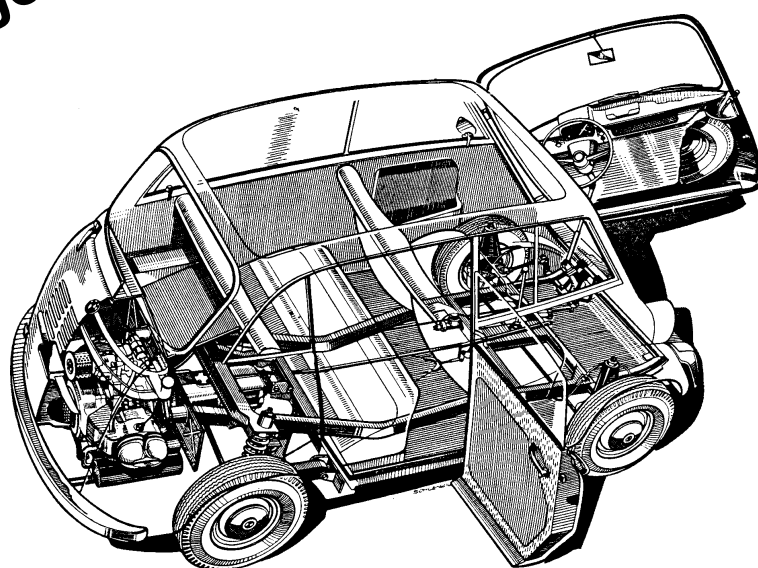

Spare Parts Catalog

BMW 600

2004

**Attention ! catalog is 2 years old!
prices have changed !!!!**



Hans Rothkegel

Original parts for classic BMW cars
Schulstr. 10 B
D-86875 Waal Germany



>> finest Quality and best Service since 1980 <<

Hans Rothkegel

Spare parts for classic BMW
Schulstr. 10 B
D-86875 Waal Germany

GPS Coordinates:
N 47.59.851
E 10.46.773

Tel: ++49 8246 / 879
Fax: ++49 8246 / 1017
hans.rothkegel@t-online.de
www.isetta.us
www.isettahans.de

>> Quality + Service <<

Dear friends,

....once upon a time there was a project, called BMW 600 spare parts catalogue...
Now it is ready !!!

it is extremely difficult to produce spare part for this car, because these are so small quantities, maybe all around the world exist still 800 cars. Please be patient, if still not all spares are in my stock. I think, until March 2004 i will have all parts shown in this catalog in my stock.

And now, still a short explanation of how to use this catalogue:

The first no is my order no. and it refers to the no. in the drawing.
The following letter specifies the character of the spare part:

O original spare part or 100% original reproduced **P** replacement, it will fit, but it is not original **U** used, second hand **EX** exchange part, please send me back your old used part ! **Z** accessories

I believe that this short description helps You to get an idea what you can expect.
The number after the description indicates, how often this particular part appears in Your car. The price quoted behind is always the price for ONE (1) piece !

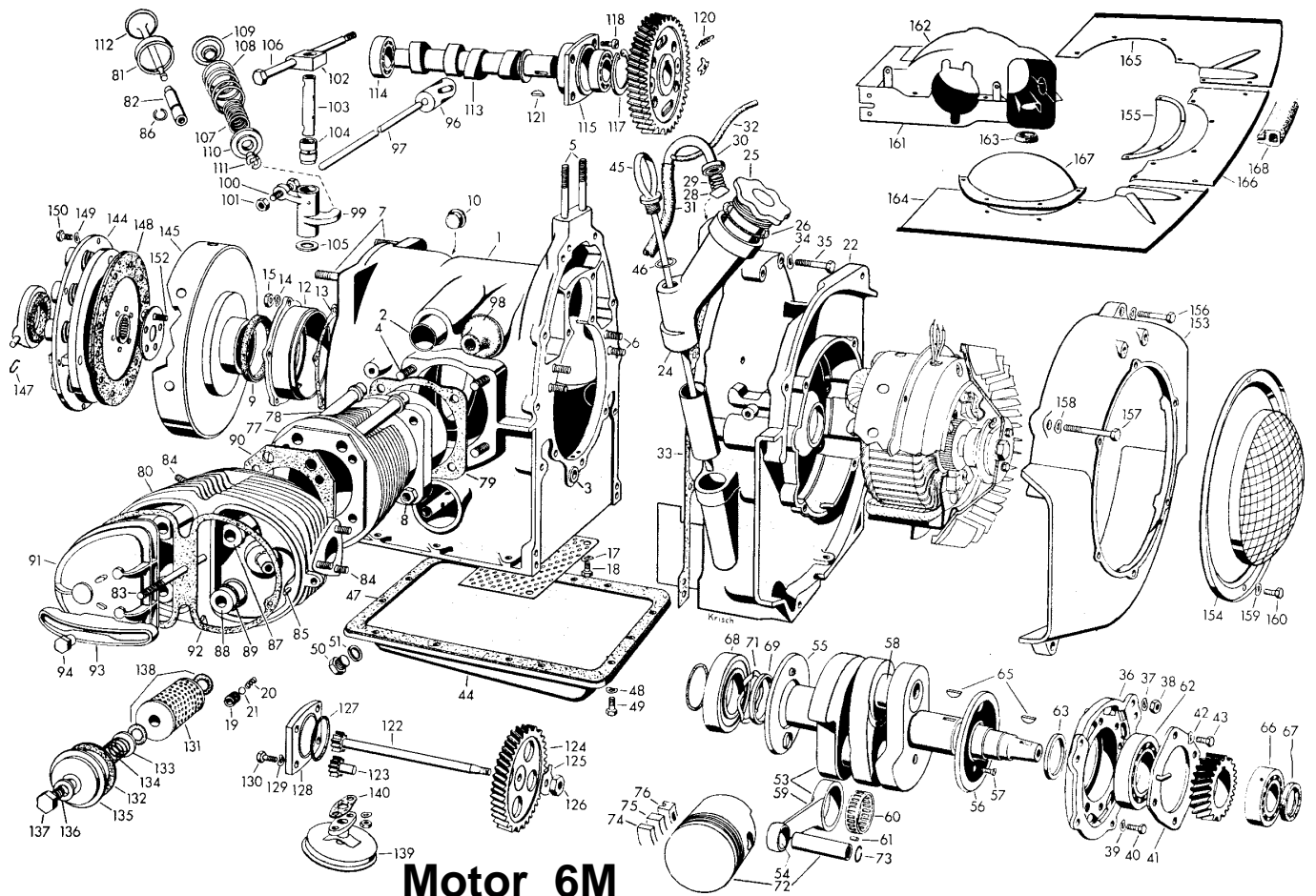
Please note, prices are given in US \$, shipping is **included!** (regular shipping i.e. to the United States are 20 days) in all orders for more than \$ 180. Please add for shipping by airmail (6 days) between \$ 5 and \$ 50. This catalog and these prices are given to all my customers outside of the European Community; if you live in the EC, please ask for my BMW 600 catalog in german language and prices in EURO.

I always try to provide highest quality and best service. Please do not hesitate to tell me if You are not satisfied or if You think I could improve my service.

Mit freundlichen Grüßen
Ihr BMW Spezialist
best regards



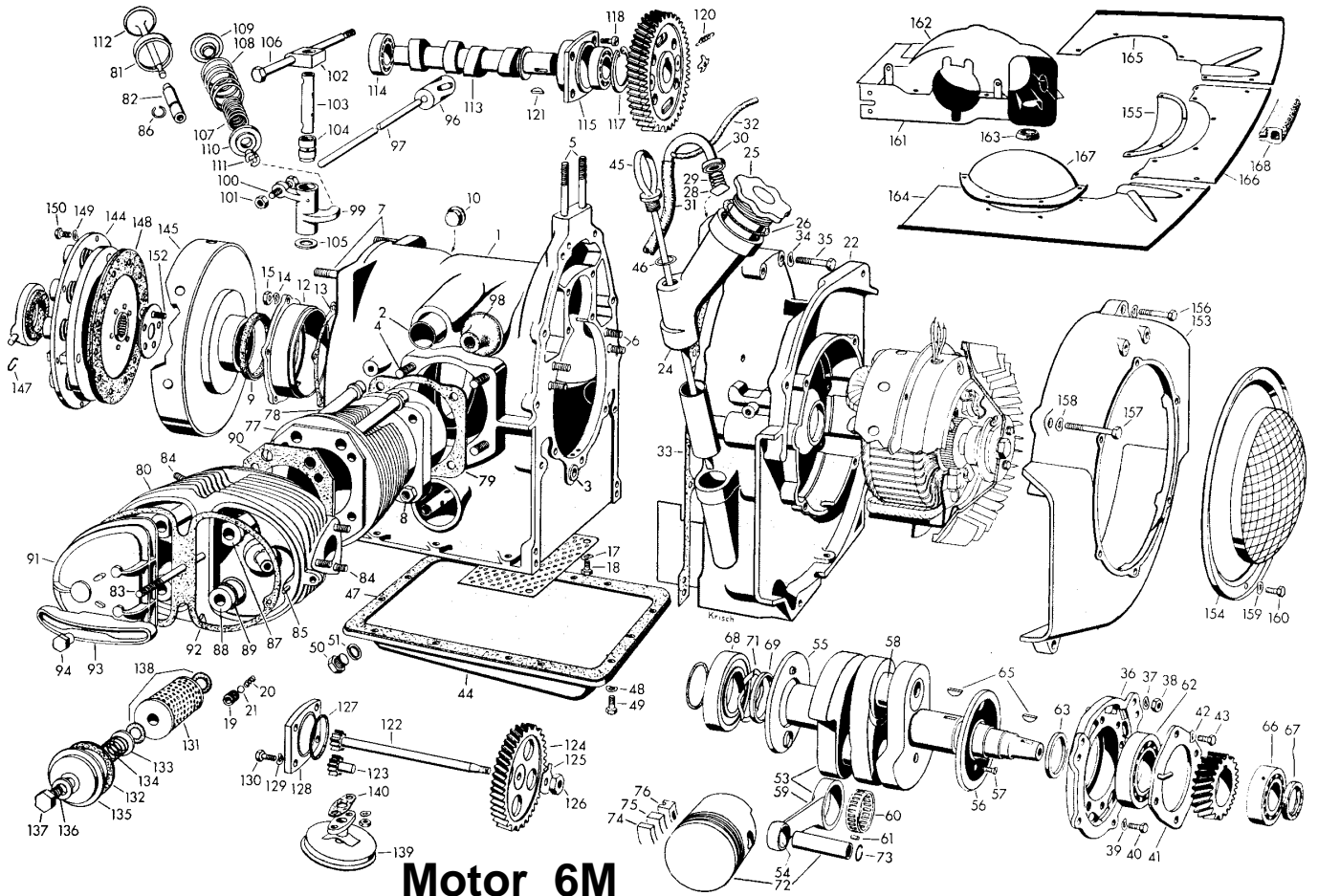
Hans Rothkegel



Motor 6M

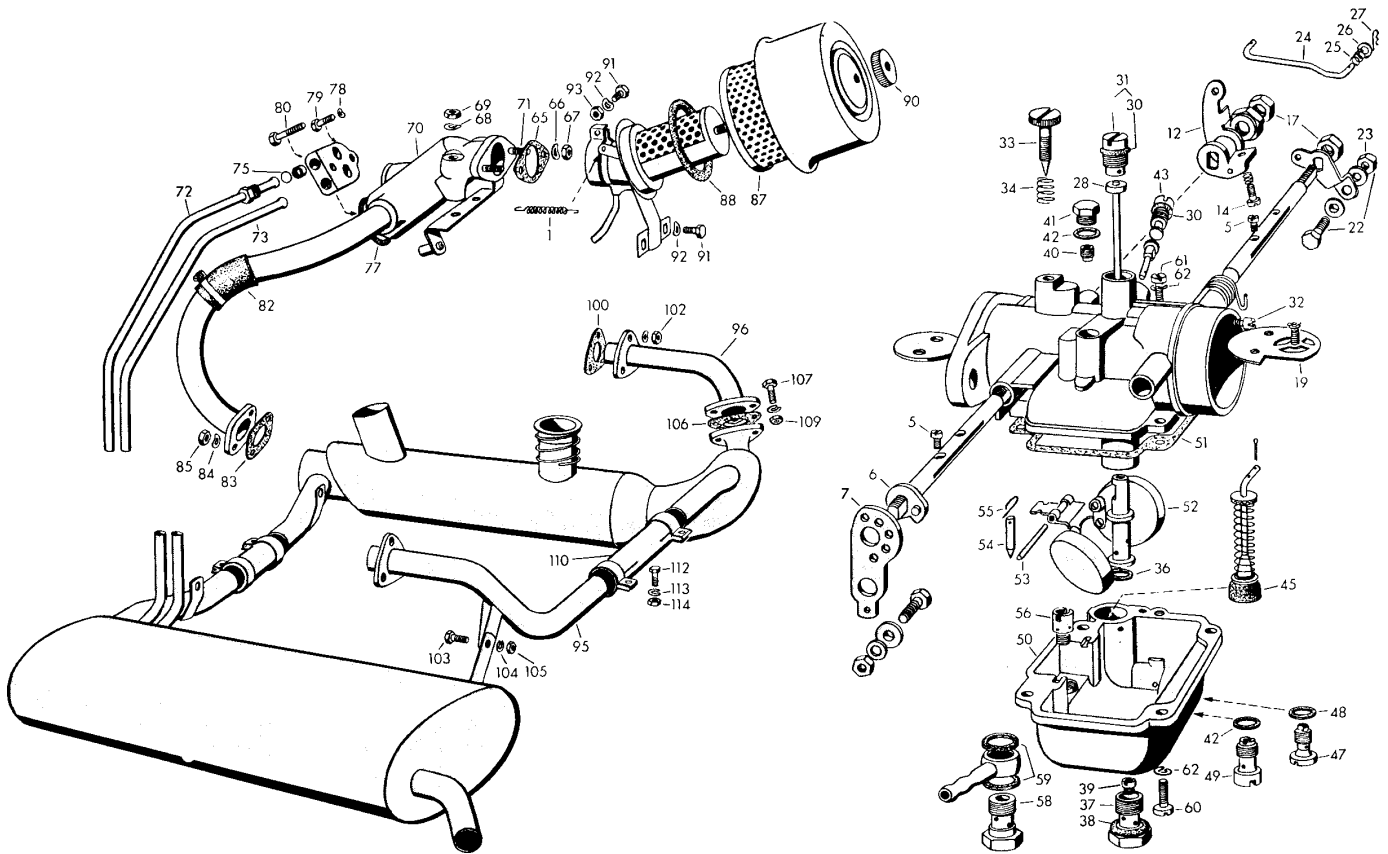
6M300	O	gasket set,36 pcs with oil seals	1	102.00	6M 54	O	bushing	2	13.60
6M 2	O	tappet guide	4	13.40	6M 57	O	screw	2	0.55
6M 3	O	bushing	1	5.70	6M 59	O	connecting rod with pivot	2	222.00
6M 4	O	stud	8	1.10	6M 62	O	bearing FAG	1	26.80
6M 5	O	stud	2	1.60	6M62b	O	bearing KOYO	1	20.80
6M 6	O	stud	4	1.10	6M 64	O	gear	1	54.50
6M 7	O	stud	2	1.50	6M 65	O	woodruff key	2	2.40
6M 8	O	special nut	8	2.50	6M 66	O	bearing FAG 6206	1	14.60
6M 9	O	oil seal silicon	1	16.30	6M66b	O	bearing KOYO 6206	1	10.20
6M 10	O	rubber plug	1	2.10	6M 67	O	oil seal	1	6.50
6M 12	O	bearing cover	1	24.00	6M 68	O	bearing FAG 6209	1	30.90
6M 13	O	gasket	1	3.40	6M68b	O	bearing KOYO 6209	1	23.80
6M 18	O	screw	1	0.30	6M 72	P	piston 74.44 mm GPM	2	198.00
6M 19	O	cap	1	4.10	6M 74	O	piston ring set 74.0 or 74.5 mm	2	46.00
6M 19a	O	spring plate	1	4.60			please tell me the diametre !		
6M 20	O	spring	1	4.20	6M 79	O	gasket	2	4.10
6M 21	O	ball	1	0.65	6M80a	EX	cyl head RH	1	294.00
6M 24	O	oil filler	1	49.60	6M80b	EX	cyl head LH	1	294.00
6M 25	U	screwed cap used	1	22.40	6M 81	O	valve guide inlet	2	11.90
6M 26	O	gasket	1	2.40	6M 82	O	valve guide outlet	2	11.90
6M 28	O	diaphragm	1	3.50	6M 83	O	stud	2	1.70
6M 31	O	rubber hose	1	2.40	6M 84	O	stud	10	1.10
6M 32	O	rubber hose	1	1.60	6M 85	O	pin	4	0.40
6M 33	O	gasket	1	6.90	6M 86	O	circlip	4	0.45
6M 35	O	screw	9	0.45	6M 90	O	head gasket	2	5.70
6M35b	O	screw countersunk	1	0.70	6M 91	U	cover used	2	14.50
6M36a	O	bearing support	1	52.00	6M91b	EX	cover chrome plated	2	27.90
6M 40	O	screw	1	0.35	6M 92	O	gasket	2	4.90
6M 41	O	oil flange	1	33.00	6M 93	U	used grip	2	8.40
6M 44	O	oil pan	1	112.00	6M 94	O	special nut	2	6.20
6M 45	P	oil dipstick	1	38.50	6M 96	O	tappet	4	39.80
6M 46	O	seal ring	1	0.45	6M 97	O	tappet rod	4	41.00
6M 47	O	oil pan gasket	1	7.90	6M 98	O	rubber grommet	4	6.40
6M 49	O	screw	13	0.30	6M 99	U	used rocker arm inlet	1	31.00
6M 50	O	plug screw	1	2.40	6M99b	U	used rocker arm outlet	1	31.00
6M50b	P	magnetic plug screw	1	8.80	6M100	O	adjusting screw	4	4.60
6M 51	O	seal ring	1	0.60	6M101	O	nut	4	0.65
6M 53	EX	crankshaft EXCHANGE	1	659.00	6M106	O	screw	8	8.60
					6M107	O	inner spring	4	4.90
					6M108	O	outer spring	4	5.40





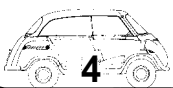
Motor 6M

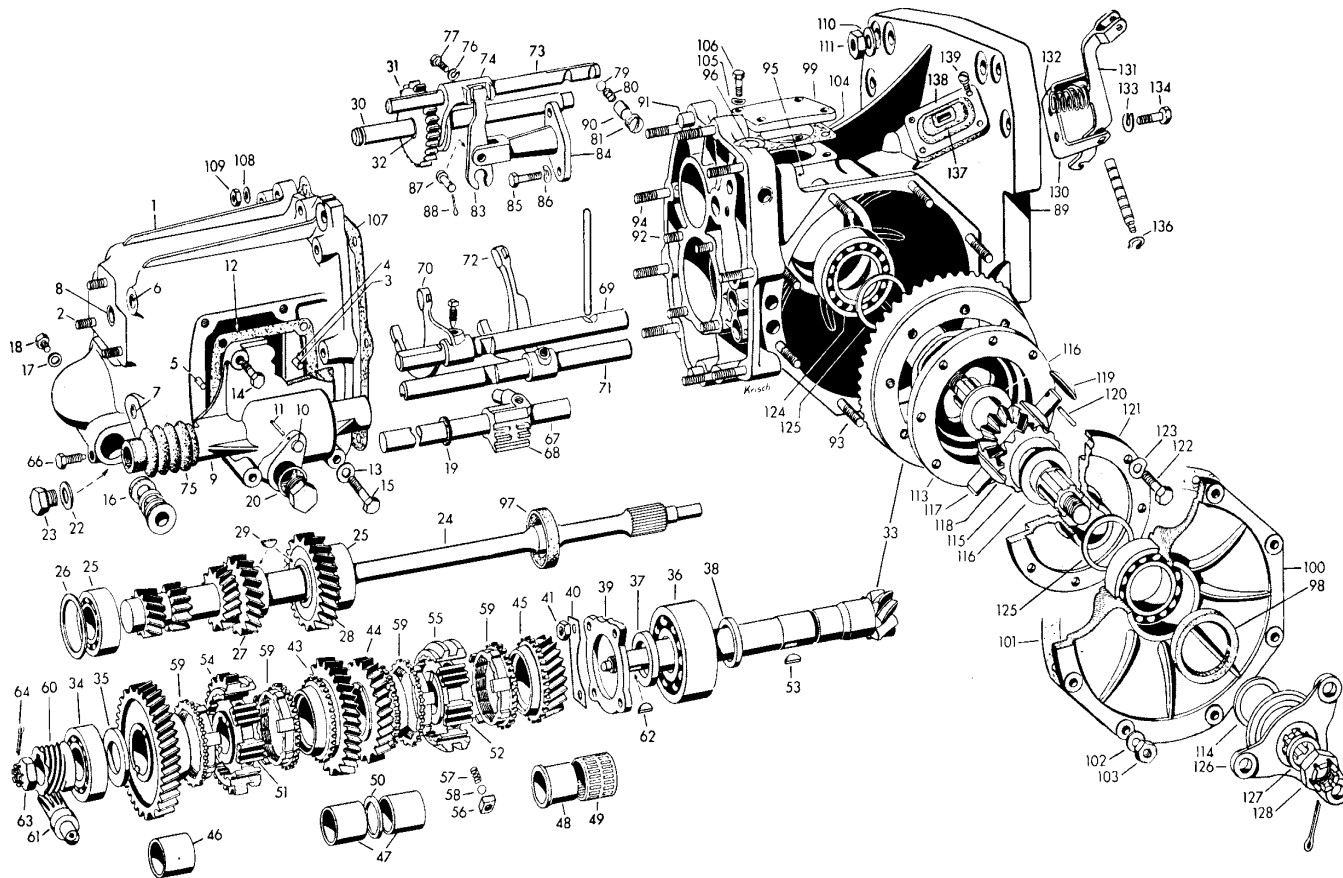
6M109	O	lower spring plate	4	2.80	6M148	O	clutch disc FS	1	64.00
6M110	O	upper spring plate	4	10.30	6M148b	O	clutch disc LUK	1	64.00
6M111	O	valve key	8	3.30	6M148a	O	clutch linings 1p	1	49.50
6M112a	O	valve cone inlet	2	35.20	6M150	O	screw	6	0.35
6M112b	O	valve cone outlet	2	38.50	6M152	O	special screw	5	3.80
6M113	O	timing shaft	1	149.00	6M153	U	cover used	1	52.00
6M114	O	bearing FAG 6004	1	9.50	6M154	U	used blower cap	1	29.50
6M114b	O	bearing KOYO 6004	1	6.80	6M155	U	used trough	1	18.00
6M115	O	bearing cover	1	23.80	6M167	U	used cap	1	28.00
6M116	O	bearing FAG 6005	1	10.20	6M168	O	rubber seal	1	72.00
6M116b	O	bearing KOYO 6005	1	7.20					
6M117	O	spring ring	1	1.95					
6M118	O	screw	4	0.35					
6M119	O	gear	1	68.00					
6M121	O	woodruff key	1	2.40					
6M122	O	drive shaft	1	69.00					
6M123	O	drive gear	1	25.80					
6M124	O	gear	1	73.00					
6M125	O	lock plate	1	0.45					
6M126	O	nut	1	0.65					
6M127	O	O-ring	1	2.90					
6M128	O	cover	1	16.80					
6M130	O	screw	4	0.40					
6M131	O	oil filter	1	10.30					
6M132	O	gasket	1	4.50					
6M134	O	spring	1	1.30					
6M135	O	cover	1	16.70					
6M136	O	ring	1	0.35					
6M137	O	screw	1	1.45					
6M137a	O	oil filter tube	1	14.80					
6M138	O	O-ring	2	1.60					
6M139	O	oilsieve	1	34.90					
6M140	O	gasket	1	1.80					
6M144	O	thrust plate FS	1	91.00					
6M144b	O	thrust plate LUK	1	86.00					
6M147	O	spring	2	2.40					
6M147a	O	bearing	1	62.00					



Luft 6L

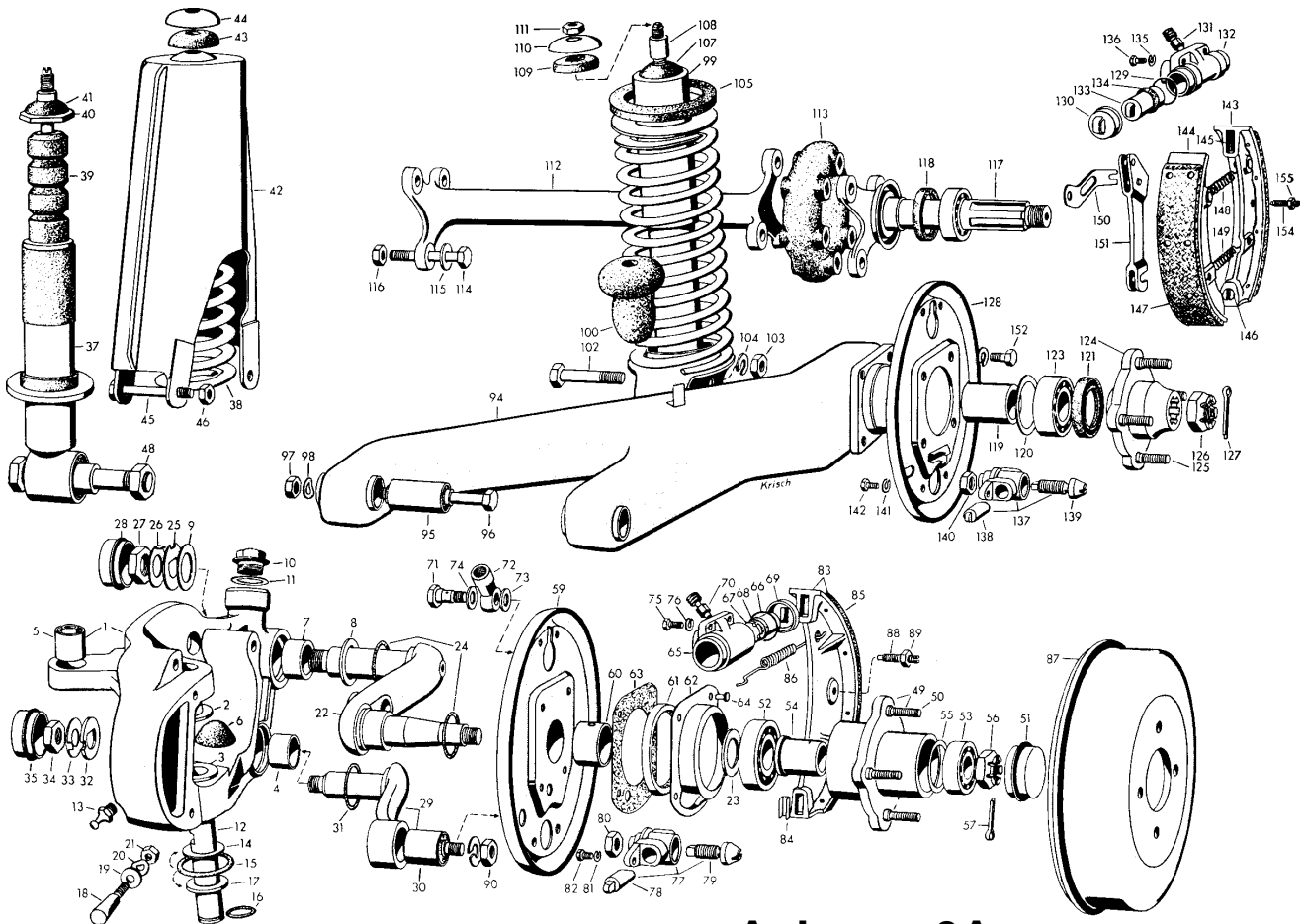
6L300	O	gasket set for carb.	1	13.20	6L 52	O	float	1	26.00
6L 1	EX	carburettor exchange	1	412.00	6L 53	O	float axle	1	3.20
6L 5	O	screw	4	0.50	6L 54	O	float needle	1	4.80
6L 6	O	bearing	6	11.20	6L 55	O	arm	1	1.40
6L 7	O	lever	1	12.60	6L 56	O	needle jet	1	12.60
6L 12	O	lever	1	16.20	6L 58	O	hollow screw	1	16.80
6L 14	O	adjuster	1	1.80	6L 59	O	fiber washer	2	0.55
6L 17	O	nut	2	0.60	6L 60	O	screw	2	0.30
6L 22	O	screw	1	3.90	6L 61	O	screw	2	0.30
6L 24	O	connecting rod	1	6.40	6L 65	O	gasket	1	3.50
6L 25	O	spring	2	2.40	6L 70	O	intake manifold	1	31.00
6L 27	O	lock	2	0.80	6L 71	O	stud	2	1.10
6L 28	O	idling jet	1	14.80	6L 75	O	seal ring	2	0.60
6L 30	O	O-ring	2	0.90	6L82a	O	rubber hose	2	13.20
6L30b	O	O-ring	2	0.90	6L82b	O	rubber hose	2	12.80
6L 31	O	screw	1	12.20	6L 83	O	gasket	4	3.90
6L 32	O	idling jet	1	5.90	6L 86	U	used holding	1	32.80
6L 33	O	screw	1	7.40	6L 87	O	air filter element	1	14.70
6L 34	O	spring	1	2.50	6L 88	O	O-ring	2	2.00
6L 36	O	seal ring	1	0.35	6L 90	O	clamping nut	1	1.60
6L 37	O	jet screw	1	14.60	6L 95	O	tube LH	1	68.00
6L 38	O	O-ring	1	0.80	6L 96	O	tube RH	1	68.00
6L 39	O	main jet	1	6.40	6L 97	O	muffler	1	296.00
6L 40	O	jet	1	7.60	6L97a	O	muffler s/s	1	449.00
6L 41	O	plug screw	1	4.20	6L100	O	gasket	3	4.30
6L 42	O	seal ring	2	0.55	6L 106	O	3-hole gasket	3	4.30
6L 43	O	jet	1	14.60	6L108	O	heater exchanger(the newer model)	1	789.00
6L 45	O	dashpot pump	1	82.00	6L 108b	P	heater exchanger cpl. with 4-tube silencer, stainless steel	1	2050.00
6L 47	O	ventile	1	16.20					
6L 48	O	seal ring	1	0.35					
6L 49	O	ventile	1	20.40					
6L 50	U	housing used	1	52.00					
6L 51	O	gasket	1	6.10					





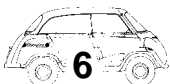
Getriebe 6G

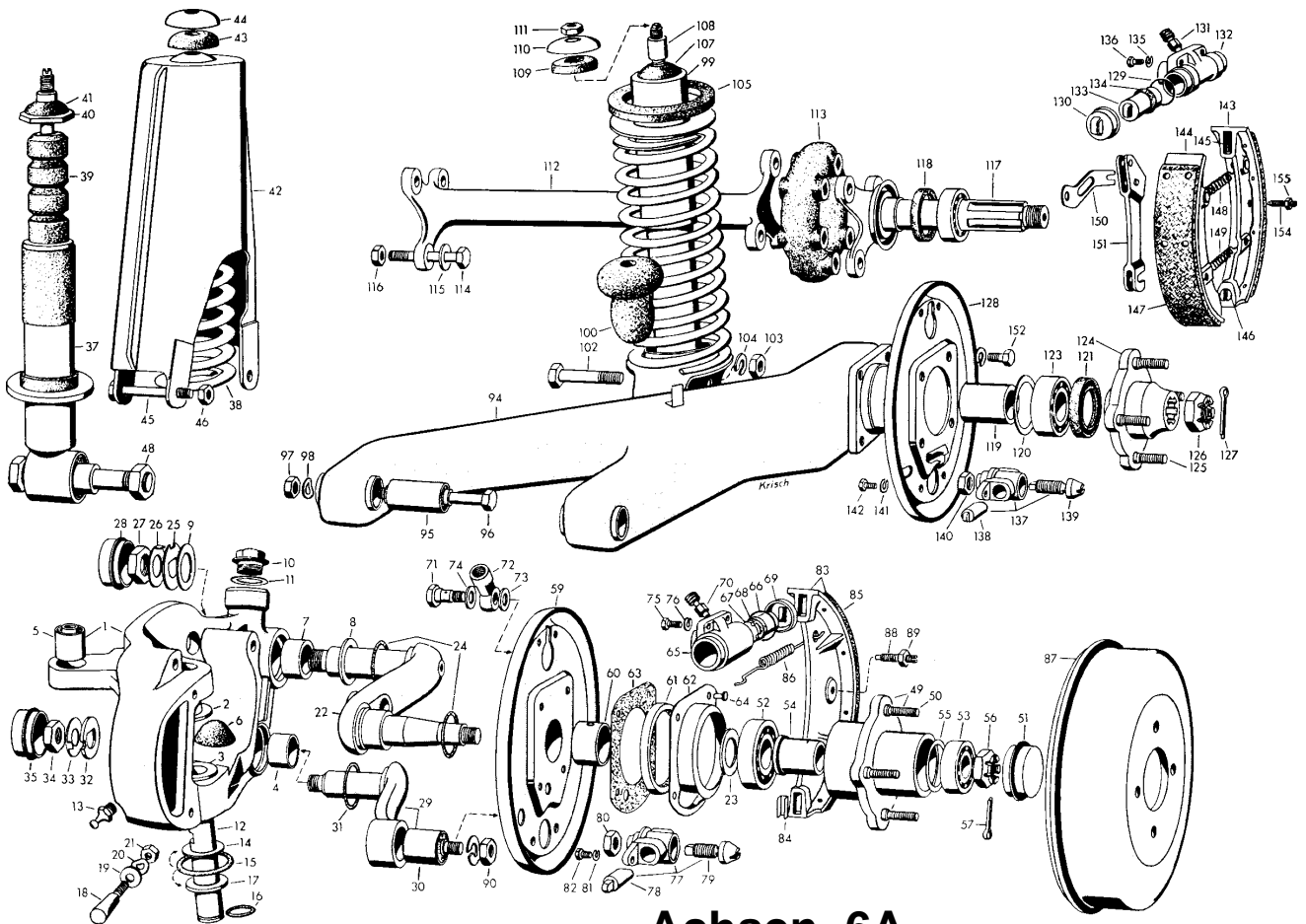
6G300	O	transmission gasket set with oil seals	1	51.00	6G 64	O	split pin	1	0.25
6G 1	U	cpl. gearbox used	1	420.00	6G 68	O	finger	1	45.00
6G 2	O	stud	3	1.00	6G 70	O	fork	1	32.00
6G 5	O	bolt	1	0.70	6G 75	O	rubber boot	1	13.90
6G 6	O	cover	1	0.90	6G 77	U	screw used	1	5.40
6G 7	O	cover	2	1.00	6G 79	O	ball 9mm	3	0.85
6G 9	O	cover	1	43.00	6G 81	O	plug	1	2.30
6G 12	O	gasket	1	4.60	6G 89	O	housing	1	169.00
6G 14	O	screw	2	0.45	6G 92	O	stud	4	1.20
6G 15	O	screw	2	0.45	6G 93	O	stud	8	1.60
6G 16	O	oil seal	1	5.70	6G 94	O	stud	9	1.90
6G 17	O	seal ring	1	0.70	6G 95	O	cover	1	0.90
6G 18	O	screw	1	0.20	6G 96	O	cover	1	1.00
6G 19	O	O-ring	1	1.80	6G 97	O	oil seal	1	8.60
6G 20	O	seal ring	1	0.65	6G 98	O	oil seal	2	9.70
6G 22	O	seal ring	1	0.60	6G101	O	gasket	1	6.80
6G 23	O	plug screw	1	2.30	6G104	O	gasket	1	4.00
6G 25	O	bearing FAG	2	13.60	6G107	O	gasket	1	7.90
6G25b	O	bearing KOYO	2	8.90	6G109	O	nut	9	0.40
6G 29	O	woodruff key	2	2.40	6G109b	O	screw	2	0.90
6G 34	O	bearing FAG	1	14.80	6G120	O	bolt	1	0.55
6G34b	O	bearing KOYO	1	9.80	6G124	O	bearing FAG	2	25.80
6G 36	O	special bearing FAG	1	74.00	6G124b	O	bearing KOYO	2	19.80
6G36b	O	bearing KOYO	1	52.00	6G128	O	castle nut	2	2.90
6G 41	O	nut	4	0.40	6G130	O	support	1	8.90
6G 48	O	bushing	1	6.70	6G131	O	lever	1	27.80
6G 49	O	needle cage	4	12.80	6G134	O	nut	2	0.45
6G50b	O	washer	1	1.00	6G136	O	lock ring	1	0.25
6G 51	O	guide sleeve	1	56.00	6G137	O	sleeve	1	18.30
6G 52	O	guide sleeve	1	56.00	6G139	O	lens head screw	4	0.90
6G 53	O	woodruff key	4	1.80					
6G 54	O	sliding sleeve	1	72.00					
6G 55	O	sliding sleeve	1	72.00					
6G 56	O	sliding member	6	9.80					
6G 58	O	ball	6	0.85					
6G 61	O	speedo worm gear	1	24.80					
6G 62	O	woodruff key	1	1.70					



Achsens 6A

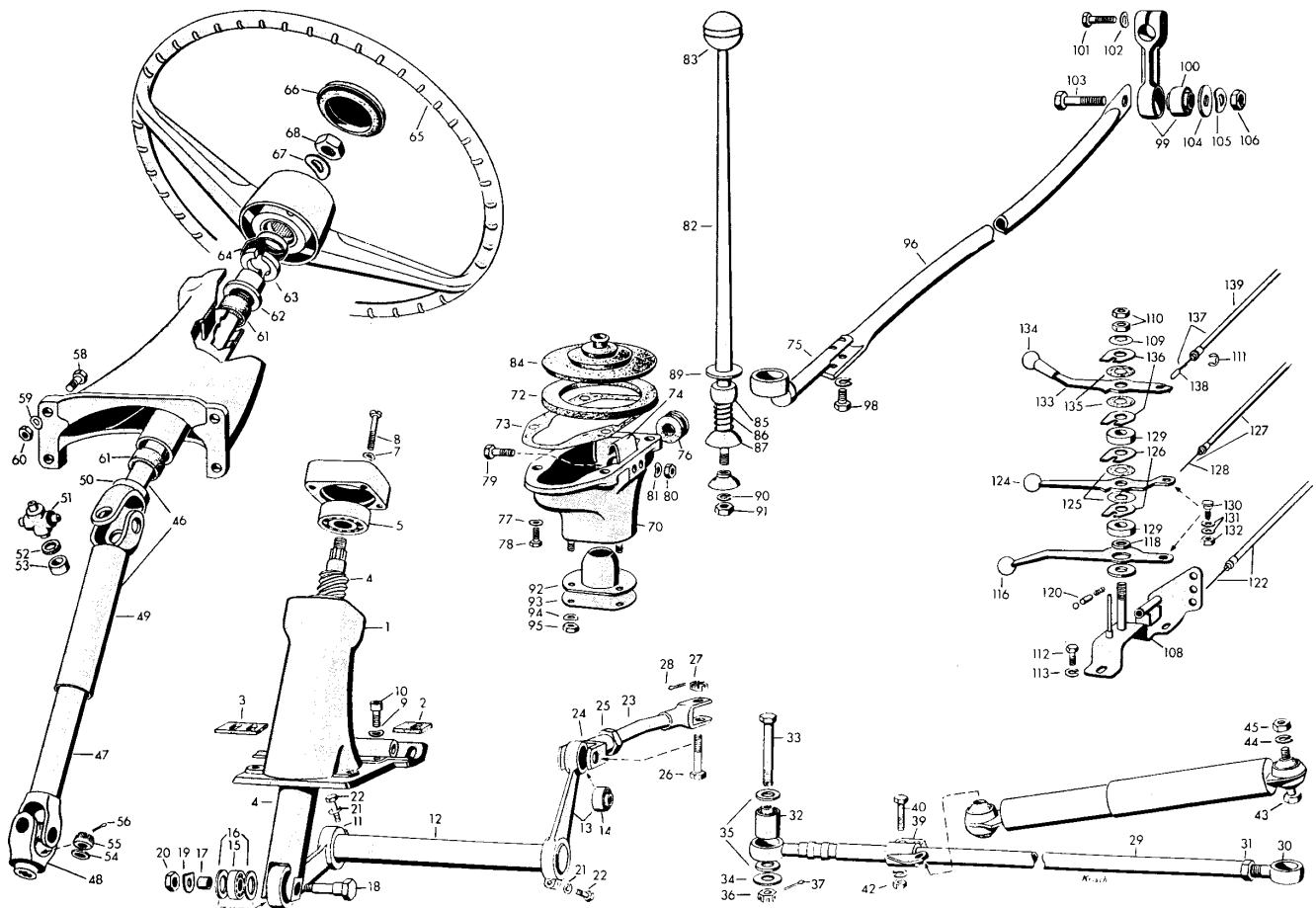
6A 1a	U	axle LH used	1	108.00	6A 41	O	rubber ring	2	5.30
6A 1b	U	axle RH used	1	108.00	6A 42	U	housing used	2	64.00
6A 2	O	upper bushing	2	13.80	6A 43	O	rubber bumper	2	4.20
6A 3	O	lower bushing	2	14.20	6A 44	O	plate	2	4.80
6A 4	O	lower bushing	4	8.10	6A 45	O	screw	4	1.30
6A 5	O	silent bloc	4	6.80	6A 48	O	nut	2	1.30
6A 6	O	bumper	2	6.40	6A 49	O	front hub	2	89.00
6A 7	O	needle cage	4	14.20	6A 50	O	wheel bolt	16	5.30
6A 8	O	washer	2	3.90	6A50a	O	wheel nut	16	3.40
6A 9a	O	washer 1.5 mm	2	1.50	6A 51	O	cap	2	14.20
6A 10	O	plug screw	2	5.70	6A 52	O	bearing FAG	2	11.40
6A 11	O	seal ring	2	1.65	6A52b	O	bearing KOYO	2	8.20
6A 12	O	knuckle pin	2	23.40	6A 53	O	bearing FAG	2	8.40
6A 13	O	lubrication nipple	4	0.90	6A53b	O	bearing KOYO	2	5.80
6A14a	O	washer 2.5 mm	2	1.20	6A 54	O	spacer	2	8.90
6A 16	O	rubber ring	4	1.75	6A55a	O	shim 0.20 mm	2	1.05
6A 17	O	thrust piece	2	1.60	6A55b	O	shim 0.30 mm	2	1.05
6A 18	O	wedge screw	2	7.20	6A 56	O	castle nut	2	1.95
6A 22	EX	swing arm EXCHANGE	2	89.00	6A 57	O	split pin	2	0.35
6A 23	O	thrust washer	2	4.60	6A 59	O	brake plate	1	94.00
6A 24	O	rubber ring	4	1.60	6A 60	O	bushing	2	10.40
6A 25	O	washer	2	4.50	6A 61	O	oil seal	2	6.90
6A 26	O	lock plate	2	3.40	6A 62	O	cap right	1	12.80
6A 27	O	nut	2	0.90	6A62a	O	cap left	1	12.80
6A 28	O	cap	2	15.80	6A 63	O	gasket	2	2.95
6A 29	EX	swing arm lower EXCHANGE	2	79.00	6A 64	O	rivets 1 set	2	0.75
6A 30	O	silent bloc	2	11.30	6A 65	O	front brake cylinder 17 mm	2	104.00
6A 31	O	rubber ring	2	1.45	6A 66	O	O-ring	8	1.50
6A 32	O	lock washer	2	3.90	6A 67	O	piston	4	13.70
6A 33	O	lock plate	2	3.40	6A 68	O	groove collar	4	4.40
6A 34	O	nut	2	0.90	6A 69	O	cap	8	6.40
6A 35	O	cap	2	12.80	6A 70	O	bleeder valve	4	5.40
6A 37	O	shock absorber front	2	148.00	6A 71	O	hollow screw	2	5.80
6A37b	O	silent bloc	2	14.60	6A 72	O	ring connector	2	14.60
6A 38	O	spring	2	78.00	6A 73	O	2 copper rings	2	0.75
6A 39	O	rubber bumper	2	13.80	6A 77	U	brake adjuster used	4	41.00
					6A 78	O	thrust piece	8	9.40





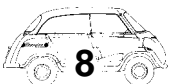
Achsen 6A

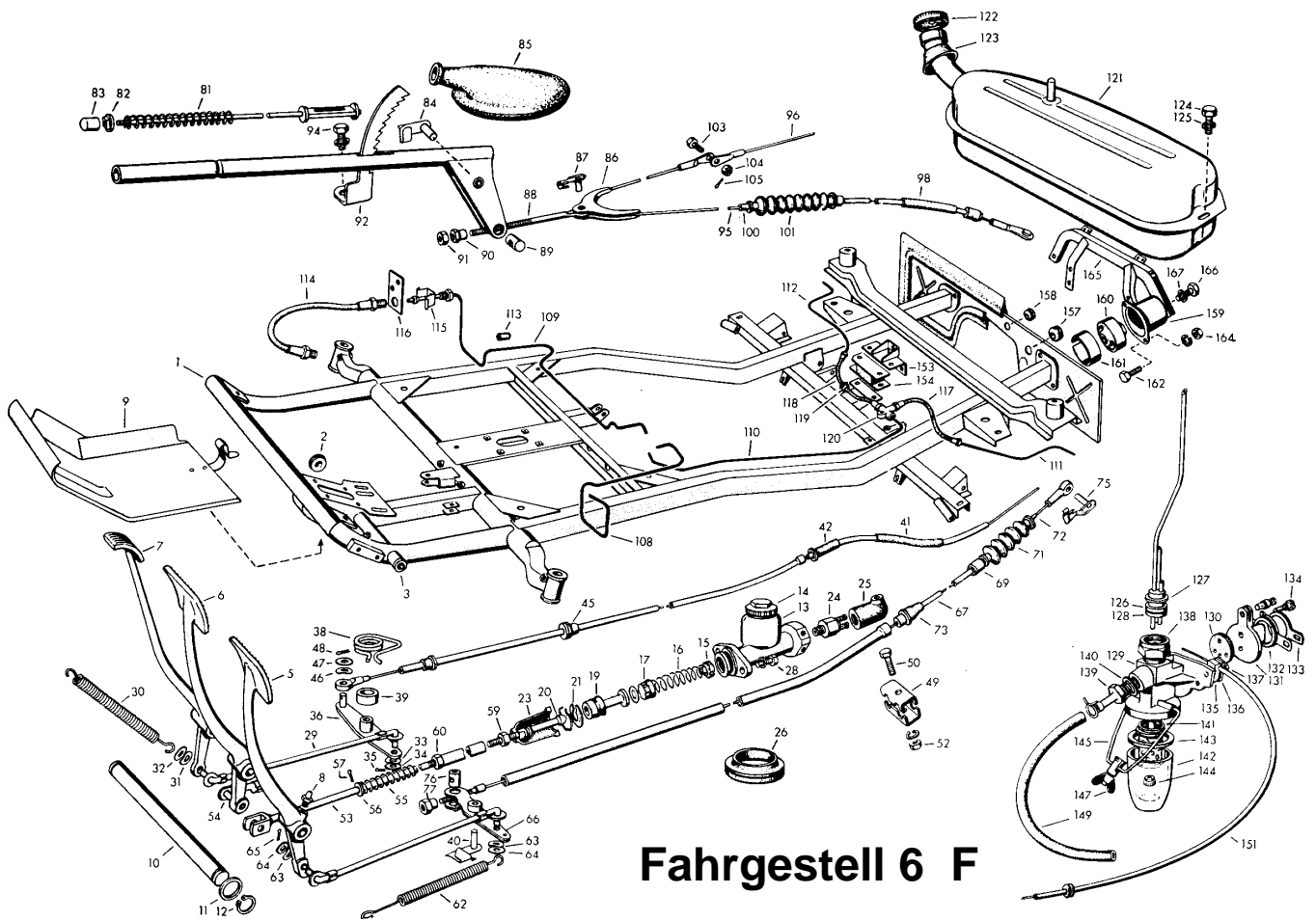
6A 79	O	adjusting screw	4	10.60	6A129	O	rubber ring	8	1.60
6A 80	O	nut	4	0.80	6A130	O	cap	8	6.40
6A 83	U	brake shoe used	4	21.00	6A131	O	bleeder valve	4	5.40
6A 84	O	thrust plate	4	1.90	6A132	O	wheel brake cylinder 12.7 mm	2	99.00
6A 85	O	1p brake linings	4	27.20	6A133	O	piston 12.7 mm	4	18.90
6A85b	O	rivets 1 set	4	2.15	6A134	O	groove collar 12.7mm	4	8.70
6A 86	O	spring	4	7.40	6A137	U	brake shoe holder	4	39.00
6A 87	O	brake drum	4	148.00	6A138	O	thrust piece	8	9.40
6A 88	O	adjusting screw	8	0.85	6A139	O	adjusting screw	4	10.60
6A 90	O	nut	2	0.80	6A140	O	nut	4	0.80
6A 95	O	silentbloc	4	13.90	6A143	U	brake shoe	2	23.50
6A 96	O	screw	4	2.40	6A144	U	brake shoe	2	23.50
6A 99	O	shock absorber rear	2	112.00	6A145	O	thrust plate	8	2.00
6A100	O	rubber bumper	2	26.40	6A147	O	brake linings 1 pair	4	27.20
6A102	O	screw	2	1.40	6A147b	O	rivets 1 set	4	2.15
6A103	O	nut	2	0.60	6A148	O	upper spring	2	7.40
6A105	O	rubber ring	2	6.40	6A149	O	lower spring	2	7.40
6A107	O	bumper ring	2	5.50	6A150	O	brake lever LH	1	14.40
6A108	O	ring	2	4.10	6A150b	O	brake lever RH	1	14.40
6A109	O	rubber ring	2	4.20	6A151	O	brake lever	2	14.80
6A110	O	plate	2	4.80	6A154	O	adjusting screw	8	0.85
6A111	O	nut	4	0.60					
6A 112	U	connecting used	2	58.00					
6A113	O	rubber donuts	4	56.00					
6A114	O	special screw	24	5.10					
6A116	P	stop nut	24	0.45					
6A118	O	oil seal	2	7.95					
6A121	O	oil seal	2	6.80					
6A122	O	bearing FAG	2	10.60					
6A122b	O	bearing KOYO	2	8.00					
6A123	O	bearing FAG	2	13.20					
6A123b	O	bearing KOYO	2	8.30					
6A124	O	rear hub	2	79.00					
6A125	O	wheel bolt	16	5.30					
6A125a	O	wheel nut	16	3.40					
6A126	O	castle nut	2	2.90					
6A127	O	split pin	2	0.35					



Lenkung 6LE

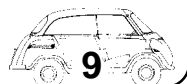
6LE 1	U	used housing	1	64.00	6LE 66	U	cap used	1	15.80
6LE1b	O	gasket	1	6.50	6LE 67	O	spring washer	1	0.65
6LE 5	O	bearing 2303	1	24.00	6LE 68	O	nut	1	1.25
6LE 8	O	screw	1	0.40	6LE 72	O	seal ring	1	6.20
6LE10	O	screw	4	0.60	6LE73	O	gasket	1	5.90
6LE12	O	drop arm spindle	1	89.00	6LE75	O	rod	1	32.00
6LE14	O	silentbloc	4	6.70	6LE76	O	bushing	1	9.40
6LE15	O	bearing 1200	1	12.80	6LE82	O	gear lever	1	44.50
6LE16	O	washer	2	1.10	6LE 83	O	knob	1	14.70
6LE17	O	bushing	1	2.40	6LE84	O	rubber sleeve protection	1	27.20
6LE18a	O	cpl. set screw / nut / washer	1	17.30	6LE85	O	gear lever ball	1	12.20
6LE19	O	lock plate	1	0.55	6LE8587	O	repair kit 7pcs	1	58.00
6LE20	O	nut	1	0.60	6LE100	O	silent bloc	1	9.80
6LE22	O	screw	2	0.65	6LE103	O	screw	1	0.65
6LE24	O	fork end	1	21.40	6LE104	O	washer	1	0.60
6LE 25	O	nut	1	2.00	6LE122	O	fuel tap cable	1	23.80
6LE 26	O	screw	2	5.10	6LE127	O	heater cable	1	24.00
6LE 27	O	castle nut	4	1.00	6LE137	O	choke cable	1	24.00
6LE 28	O	split pin	4	0.20					
6LE 29	O	track rod	1	112.00					
6LE 30	O	track rod end	1	32.00					
6LE 31	O	nut	1	0.75					
6LE 32	O	silent bloc	4	6.70					
6LE 33	O	screw	2	6.30					
6LE 36	O	castle nut	4	1.00					
6LE 37	O	split pin	4	0.20					
6LE 38	N	clamping piece with shock absorber	1	128.00					
6LE 39	N	only clamping piece	1	39.50					
6LE 40	O	screw	2	0.65					
6LE 43	O	screw	2	0.65					
6LE 51	O	joint cross cpl. with 52+53	2	99.00					
6LE 58	O	screw	4	0.35					
6LE 61	O	bushing	2	7.90					
6LE 63	O	half ring piece	2	15.80					
6LE 65	U	steering wheel used	1	69.00					

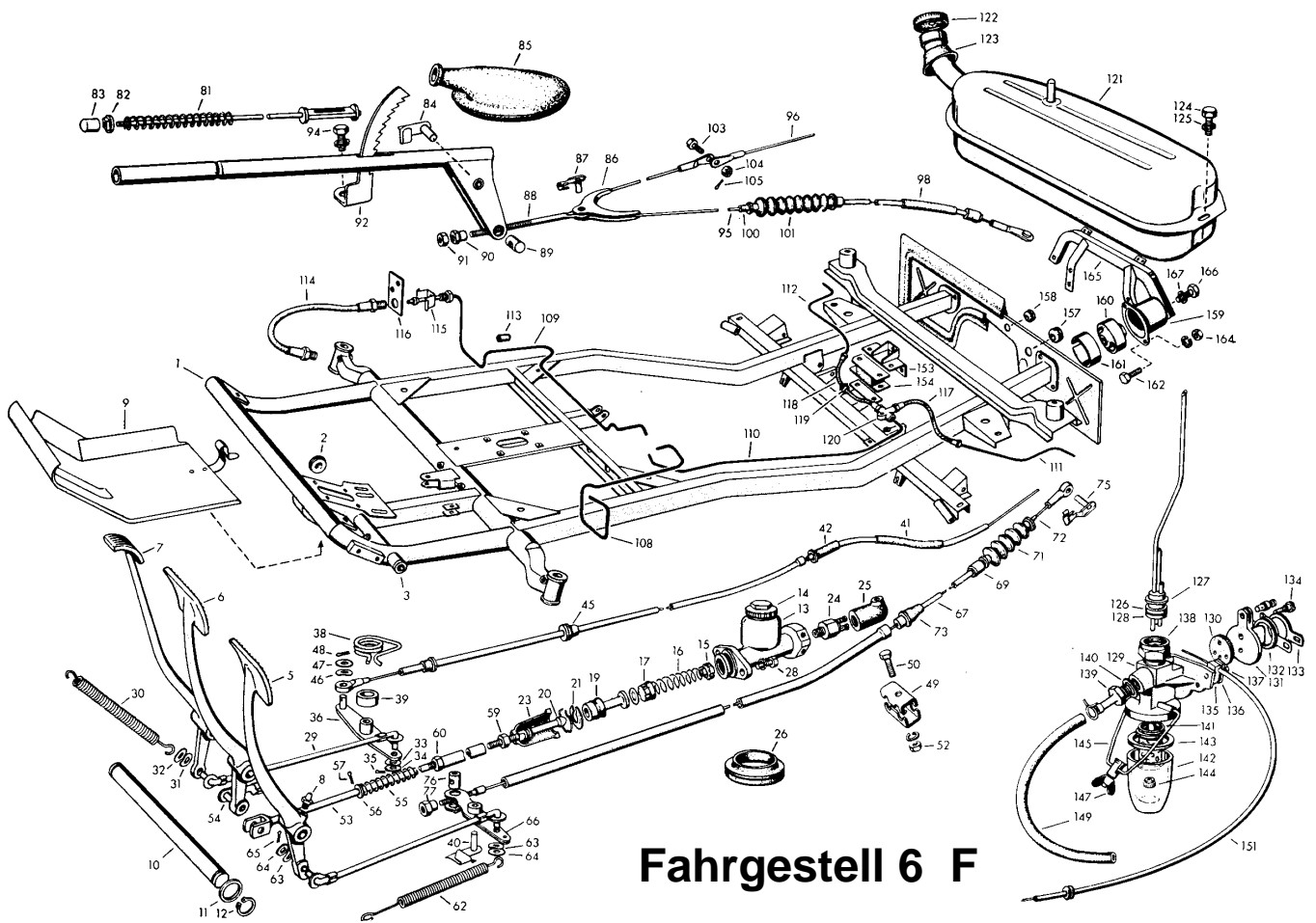




Fahrgestell 6 F

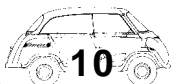
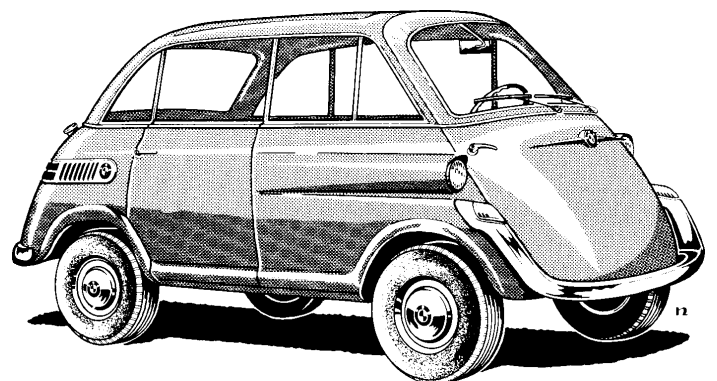
6F 2	N	rubber plug	1	2.35	6F 67	O	clutch cable	1	40.50
6F 3	O	bushing	2	12.40	6F 71	O	sleeve	1	5.10
6F 4	O	grease nipple	5	0.80	6F 75	O	spring bolt	1	6.40
6F 5	O	clutch pedal	1	36.00	6F 76	O	bolt	1	5.20
6F 6	O	brake pedal	1	38.00	6F 77	O	nut	1	3.60
6F 8	O	grease nipple	3	0.65	6F 84	O	spring bolt	1	6.40
6F 9	O	under floor pedal cover	1	85.00	6F 85	O	rubber sleeve	1	31.80
6F 10	O	foot pedal shaft	1	12.00	6F 86	O	fork	1	8.50
6F 12	O	lock ring	2	0.20	6F 87	O	spring bolt	1	4.40
6F 13	O	master brake cylinder	1	195.00	6F 95	O	brake cable long LH	1	37.50
6F13a	O	master cyl. repair kit	1	43.00	6F 96	O	brake cable short RH	1	37.00
6F 14	O	cap master cylinder	1	7.10	6F101	O	rubber sleeve	2	5.10
6F 15	O	floor valve	1	8.40	6F104	O	castle nut	1	0.70
6F 16	O	spring	1	4.10	6F108a	O	brake lines set of 5	1	34.00
6F 17	O	cap sleeve	1	4.50	6F108b	O	brake lines CUNIFER, set of 5	1	56.00
6F 19	O	groove sleeve	1	4.80	6F 114	O	brake hose front	2	19.80
6F 20	O	piston rod	1	19.80	6F 115	O	retaining spring	4	1.30
6F 21	O	stop washer	1	1.60	6F 117	O	brake hose rear LH	1	19.50
6F 23	O	sleeve	1	6.20	6F 118	O	brake hose rear RH	1	20.30
6F 24	O	brake light switch with screws	1	22.90	6F 119	O	grommet	1	0.45
6F24b	P	brake light switch with pins	1	11.80	6F120	O	brass connector	1	11.90
6F 25	O	protection cap	1	9.90	6F122	O	gas cap without lock	1	10.60
6F 26	O	rubber sleeve until chassis no. 131 706	1	11.80	6F122a	O	gas cap with lock	1	34.80
6F26b	O	rubber sleeve after 131 706	1	39.50	6F122b	O	rubber gasket for gas cap	1	3.30
6F 30	O	spring	1	3.70	6F122e	O	rubber plug for air income	1	12.80
6F 36	O	arm	1	12.00	6F123	O	rubber filler neck grey	1	18.50
6F 38	O	stop spring	1	8.50	6F123b	O	filler neck black	1	18.50
6F 39	O	bushing	1	1.00	6F300	O	set of gaskets for fuel valve	1	14.80
6F 40	O	spring bolt	2	4.00	6F126	O	tubes insert	1	49.50
6F 42	O	rubber cap	1	3.30	6F127	O	fiber washer	1	0.40
6F 43	O	throttle cable	1	23.80	6F128	O	rubber gasket 3 holes	1	5.10
6F 49	O	clamp	1	7.90	6F130	O	cork gasket 4 holes	1	5.40
6F 4b	O	aluminium ring	1	0.70	6F132	O	felt ring	1	5.40
6F 53	O	thrust rod	1	32.00	6F139	O	hose swivel connection	1	7.70
6F 54	O	spring bolt	1	6.10					
6F 55	O	spring	1	4.20					
6F 60	O	nut left	1	0.90					
6F 62	O	spring	1	5.90					

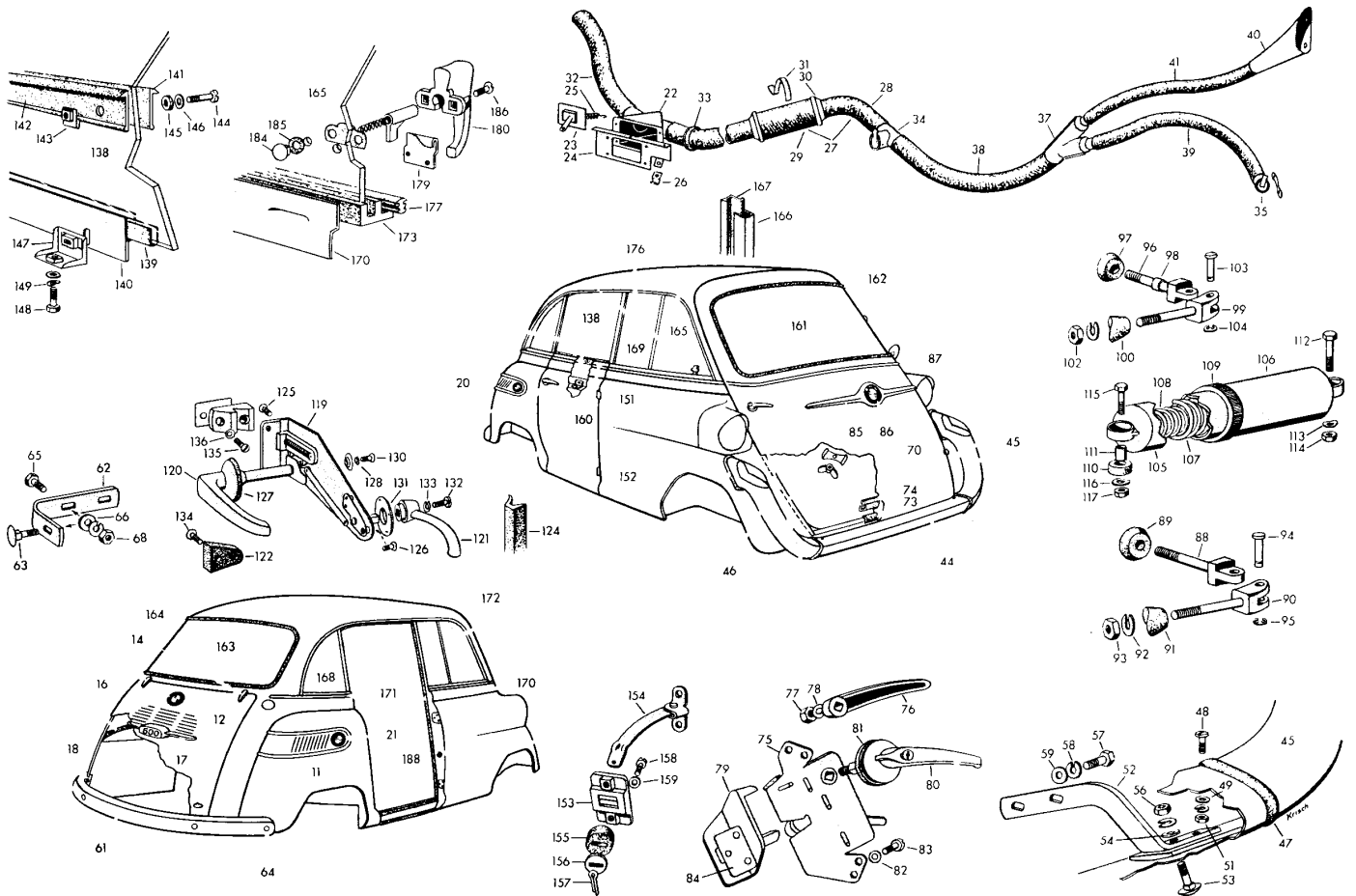




Fahrgestell 6 F

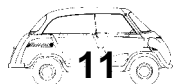
6F140	O	fiber washer	1	0.60
6F141	O	fuel filter insert	1	12.80
6F142	O	glass bowl	1	21.80
6F143	O	cork gasket	1	5.20
6F144	O	clamping nut	1	1.40
6F146	O	pressing piece	1	5.30
6F147	O	wing nut	1	1.50
6F149	O	fuel hose	1	3.20
6F151	O	cable	1	24.00
6F154	O	rubber mounting	1	41.00
6F156	O	rubber gasket	1	63.00
6F157	O	grommet	1	0.80
6F158	O	grommet	1	0.65
6F160	O	rubber mounting	2	37.80
6F 169	O	rubber gasket	1	72.00

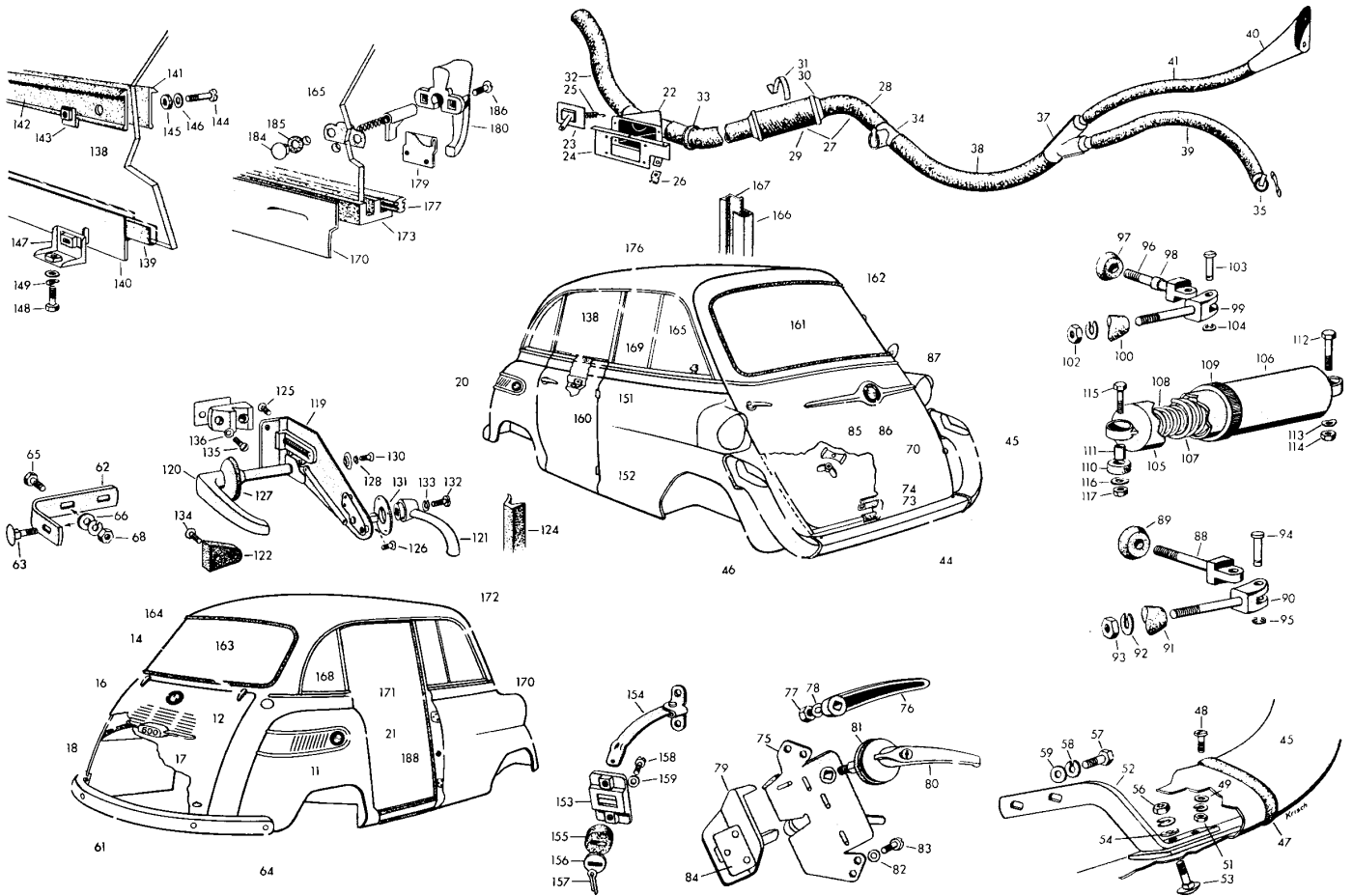




Karosserie 6 K

6K 12	U	rear cover used	1	348.00	6K 88	EX	lower door hinge EXCHANGE	1	62.00
6K 14	EX	hinge, new chromed exchange	2	55.00	6K 91	O	hinge rubber set of 4, black	1	43.50
6K 15	EX	opener new chromed,exchange	2	52.00	6K91b	O	hinge rubber set of 4, grey	1	43.50
6K 16	O	enamel badge 80 mm	2	64.00	6K 94	O	bolt s/s	1	13.80
6K 17	EX	"600" new chromed,exchange	1	148.00	6K 95	O	lock washer s/s	1	1.30
6K17b	U	opener with lock, used	2	54.00	6K 96	EX	upper door hinge EXCHANGE	1	59.50
6K 21	P	BMW badge enamel 60mm	2	57.60	6K103	O	bolt s/s	1	13.40
6K21b	P	chrome pad for badge	2	14.70	6K104	O	circlip s/s	1	0.75
6K 25	O	spring	1	1.95	6K107	P	door gas shock absorber	1	86.00
6K28=32	O	heater hose 1m	1	14.80	6K110	O	silent bloc	2	6.20
6K 33	O	grommet	1	11.80	6K 112	O	screw	1	0.60
bumper only for german version :									
6K 44	O	bumper center piece chrome	1	394.00	6K 115	O	screw	1	0.60
6K 45	O	bumper corner LH chrome	1	438.00	6K120	P	side door handle with lock	1	169.00
6K45b	O	rubber pad black LH	1	35.60	6K121	U	inner side handle, used	1	28.50
6K 46	O	bumper corner RH chrome	1	438.00	6K 124	O	rubber seal	1	32.40
6K46b	O	rubber pad black RH	1	35.60	6K127a	O	rubber pad black	2	5.20
6K 47	O	profile	2	6.90	6K127b	O	rubber pad grey	2	6.20
6K 48	O	lens head screw	2	1.00	6K135	O	countersunk lens head screw	2	0.40
6K52a	O	front mounting LH	1	31.60	6K 138	U	used side window,front LH	1	154.00
6K52b	O	front mounting RH	1	31.60	6K139	O	profile	1	3.90
6K 53	O	screw	4	1.30	6K141	O	rubber	1	18.90
6K 57	O	screw	2	1.00	6K144	O	screw	3	0.55
6K 61	O	rear bumper chrome plated	1	459.00	6K148	O	screw	4	0.20
6K 62	O	mounting back	2	21.00	6K161	O	windshield	1	418.00
6K 63	O	screw	2	0.45	6K162	O	front window rubber	1	98.00
6K 64	O	screw	2	1.00	6K162b	O	filler strip grey (front + back)	2	13.80
6K 70	U	door used	1	690.00	6K 162c	P	filler strip chrome	2	21.80
6K 73	O	door rubber seal	1	98.00	6K164	O	rubber rear window	1	69.00
6K76b	P	inner handle chrome	1	17.80	6K164b	O	filler strip grey	1	13.80
6K 77	O	head nut s/s	1	1.70	6K164c	P	filler strip chrome	1	21.80
6K 80	P	door handle	1	151.00	6K166	O	profile	2	3.00
6K80b	O	key SX profile	1	9.20	6K167	O	gasket	2	2.30
6K81a	O	rubber pad black	2	5.20	6K172a	O	velvet rail LH upper	1	44.00
6K81b	O	rubber pad grey	2	6.20	6K172b	O	velvet rail RH upper	1	22.30
6K 83	O	lens head screw	4	0.95	6K172c	O	cpl. set of all velvet rails	1	219.00
6K 85	EX	chromed badge wing EXCHANGE	158.00		69173a	O	velvet rail RH lower	1	49.00
6K 86	P	BMW badge enamel 80 mm	1	64.00	6K173b	O	velvet rail LH lower	1	105.00



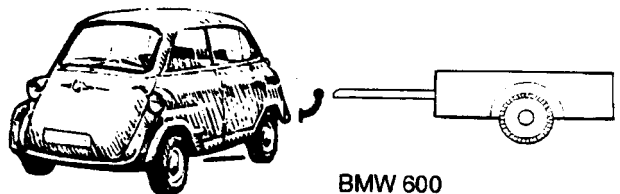


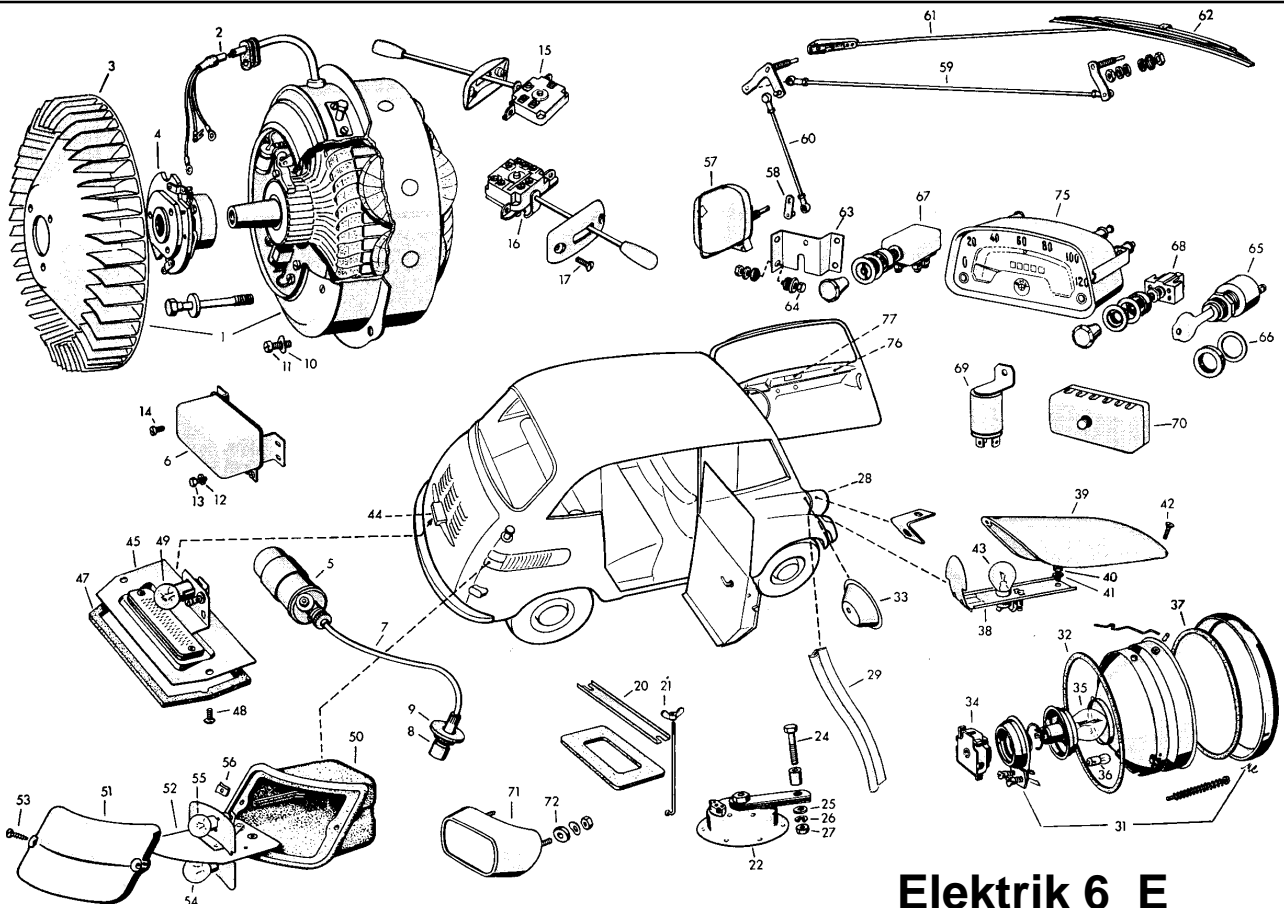
Karosserie 6 K

6K 175	O	gasket rear side	1	7.60
6K 177	O	filler for velvet, grey	1	24.00
6K 180	EX	handle chrome plated EXCHANGE 2	34.00	
6K 181	U	seat bank back used	1	580.00
6K 183	O	rubber pad	2	2.90
6K 184	O	chrome nut	2	4.80
6K 185	O	rubber pad	4	0.65
6K 186	O	lenshead screw s/s	4	0.45
6K 187a	O	mirror outside LH	1	125.00
6K 187b	O	mirror outside RH	1	125.00
6K 188a	O	rubber side door upper	1	89.00
6K 188b	O	side door rubber lower	1	69.00
6K 189	O	entrance rubber	1	22.00
6K 190	O	screw	1	0.70
6K 202	Z	chrome profile for drip rail, 1 set	31.00	
6K 210	O	type plate	1	19.80
6K 220	O	headlining	1	194.00
6K 221	P	cover for tire inside of the door	1	298.00
6K 305	U	rim used	4	98.00
6K 307	O	hub cap	4	26.50
6K 310	O	set of 4 white portawalls, german fabricated WEGU	1	63.50
6K 311	Z	trim ring for rim	4	36.00
6K 400	O	trailer coupling with 2" ball, removable	1	920.00
6K 402			1	152.00
6K 401	O	battery housing	1	49.50
6K 403	O	repair panel wing (you can use it for the front and the rear side wing, also you can use only a half, so with 1 panel you can renew 2 wings!)	2	89.00
6K404	O	cpl. floor section, battery housing included, absolutly perfect and originally reproduced	1	632.00

all the following seat covers are available in winter 2004:

6K500	O	front seat cover, with original yellow, red or blue fabric!
6K510	O	rear seat cover
6K 550	O	vinyl cover for the inner front wheel housing 2 98.00
6K 600	Z	car cover, (anti-dust) , high quality cotton perfect size with big size embroidered BMW badge in the front 1 248.00

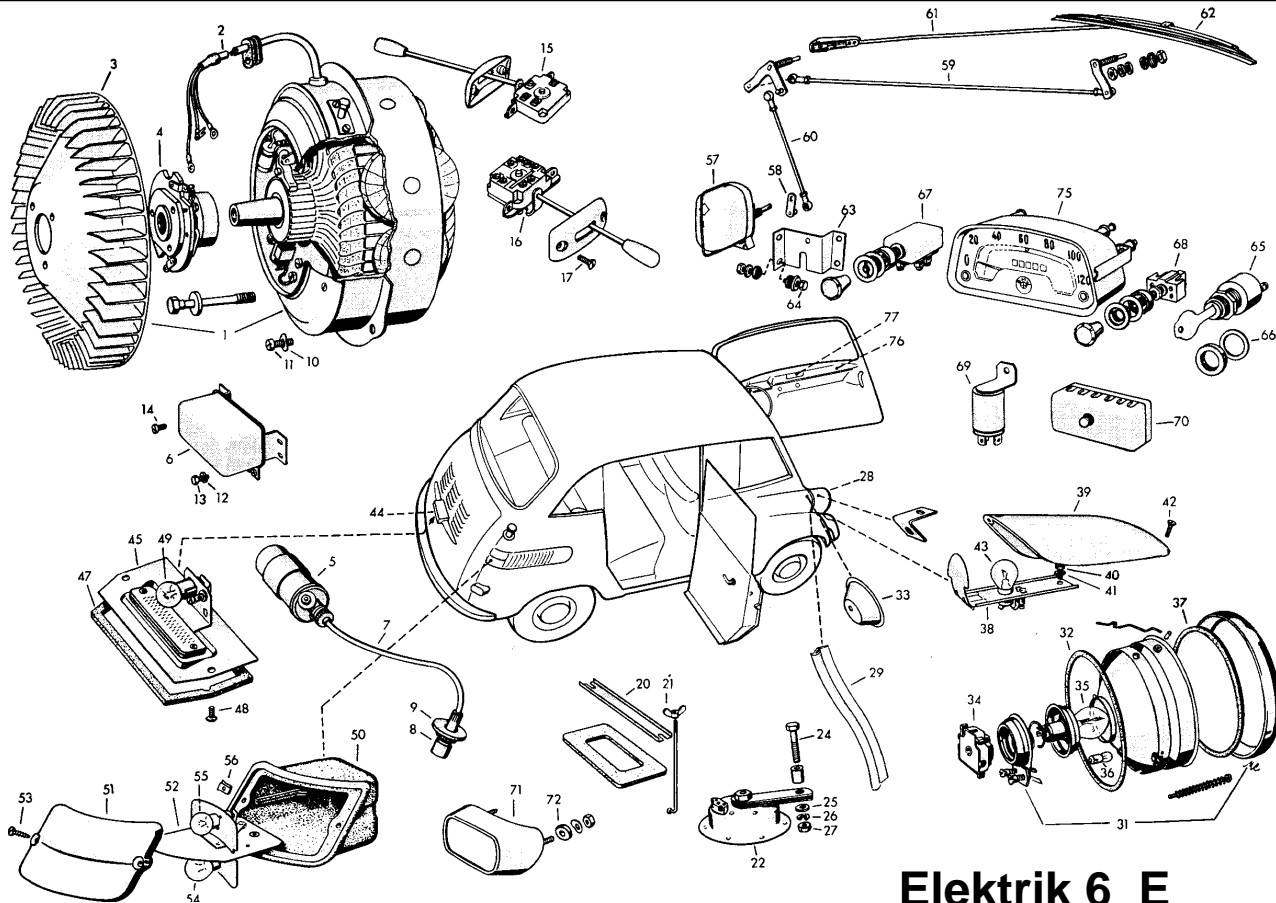




Elektrik 6 E

6E 2	O	new armature	1	498.00	6E21a	O	grommet	1	0.45
6E 2g	EX	armature exchange	1	298.00	6E21b	O	grommet	1	4.80
6E 2a	U	armature used	1	179.00	6E 22	P	signal horn chrome plated	1	25.80
6E 2c	O	woodruff key	1	2.20	6E 24	O	screw	1	0.60
6E 2b	O	stator new	1	598.00	6E27b	O	ground strip	1	4.90
6E 2d	U	stator used	1	198.00	6E 28	U	headlight housing for US model, 7", used, please tell me: left or right side!	2	64.00
6E 2e	O	wiring harness to engine	1	24.50	6E 29	O	silver packing	1	7.40
6E 2f	O	grommet	1	4.80	the followings parts are only for the german version of headlights and indicator lamp:				
6E 3	U	cooling fan used	1	61.00	6E31a	O	reflector	2	55.00
6E 4b	O	screw	1	14.80	6E31b	O	chrome ring	2	47.00
6E 4c	O	screw	1	0.30	6E 32	O	gasket ring	2	2.80
6E 4d	O	screw	1	0.30	6E 34	O	bulb connector	2	6.30
6E 4e	O	woodruff key	1	1.30	6E34b	O	bulb holder	2	9.90
6E 4f	O	set of 4 carbon brushes	1	13.40	6E 35	O	bulb 40/45 W 12V	2	4.60
6E 4g	O	spring	4	5.10	6E 36	O	bulb 2W	2	1.70
6E 4h	O	lock ring	1	1.70	6E 37	O	beam spread glass	2	21.00
6E 4w	O	breaker points	1	12.40	6E37b	O	screw chrome	2	1.50
6E 5	O	ignition coil 6V 40mm diameter	2	54.80	6E37d	O	snap spring	10	1.35
6E 5c	O	clamp 40 mm for coil	2	6.30	6E37e	O	screw chrome	2	3.40
6E 5b	O	spark plug	2	3.90	6E 37f	O	screw	1	3.40
6E 5d	P	ignition coil 6V 55m diameter	2	48.00	6E 38	O	bulb holder	2	27.80
6E 6	O	regulator switch BOSCH	1	598.00	6E 39	O	yellow indicator lens	2	49.00
6E 6b	O	regulator switch NOSSO	1	348.00	6E39b	P	seal	2	1.30
6E 6c	P	regulator, very big and strong	1	224.00	6E 40	O	screw	2	0.20
6E 6e	O	grommet 3 holes	1	4.60	6E 42	O	lens head screw	2	0.70
6E 7	O	ignition cable	2	2.40	6E 43	O	bulb 18W	2	2.40
6E 8	O	ignition cable plug	2	4.50	6E43b	O	grommet	2	0.65
6E 8b	O	coil for starter	4	31.50	6E 45	U	bulb holder used	1	46.00
6E 8e	O	coil for light	4	31.00	6E 47	O	rubber gasket	1	4.80
6E 9	O	rubber plug	2	3.20	6E 48	O	lens head screw	2	0.45
6E 11	O	screw	4	0.35	6E 49	O	bulb 10W	2	1.40
6E14a	O	screw for armature	1	9.80	6E50a	O	rubber housing black LH	1	56.00
6E14b	O	washer	1	1.80	6E50b	O	rubber housing black RH	1	56.00
6E14d	O	condenser without holder	1	6.80	6E50c	O	rubber housing grey LH	1	56.00
6E14e	P	condenser with holder	1	7.80	6E50d	O	rubber housing grey RH	1	56.00
6E 14f	O	starter cable	1	14.60					
6E 15	P	dimmer switch	1	62.00					
6E 17	O	lens head screw	1	0.40					
6E17a	P	knob for ignition switch	1	8.70					
6E 20	O	batterie holder s/s	1	13.60					
6E 21	O	wing nut	1	1.20					





Elektrik 6 E

6E51a	O	lens LH red/yellow	1	32.00
6E51b	O	lens RH red/yellow	1	32.00
6E51c	O	lens LH red/red	1	32.00
6E51d	O	lens RH red/red	1	32.00
6E 52	O	bulb holder	2	19.50
6E 53	O	screw	2	0.70
6E 54	O	bulb 18W	2	2.40
6E 55	O	bulb 5W	2	1.70
6E 56	O	spring nut	1	0.90
6E56c	O	interior lamp	1	2.40
6E 56d	O	bulb 5 W	1	1.70
6E 57	U	wiper motor used, with end stop	64.00	
6E 57b	U	wiper motor used, without	1	62.00
6E 61	O	wiper arm s/s	2	49.50
6E 62	O	wiper blade s/s	2	34.00
6E 62b	O	wiper blade silver BOSCH	2	16.50
6E 65	U	orig. ignition switch used	1	39.50
6E65b	P	ignition switch with screw con.1	56.00	
6E65c	O	ignition switch with pin connect.1	49.00	
6E65d	O	key SX profile	2	9.20
6E 66	O	washer	1	0.85
6E 67	O	light switch	1	23.40
6E 69	O	flasher original	1	49.00
6E69b	O	flasher with pin connectors	1	27.50
6E 70	O	fuse box	1	21.00
6E70a	O	set of 10 fuses	1	2.40
6E70b	O	cover for fuse box	1	6.90
6E71a	O	rear reflector	1	52.00
6E71b	O	rear reflector	1	52.00
6E72b	P	spring nut	1	0.60
6E 75	O	new speedometer km/h	1	189.00
6E75a	O	speedo cable	1	54.00
6E75b	O	bulb 2W	3	1.90
6E 75c	O	bulb holder	3	3.30
6E 76	O	instrument panel	1	314.00
6E 80	O	wiring hose s/s	1	42.50

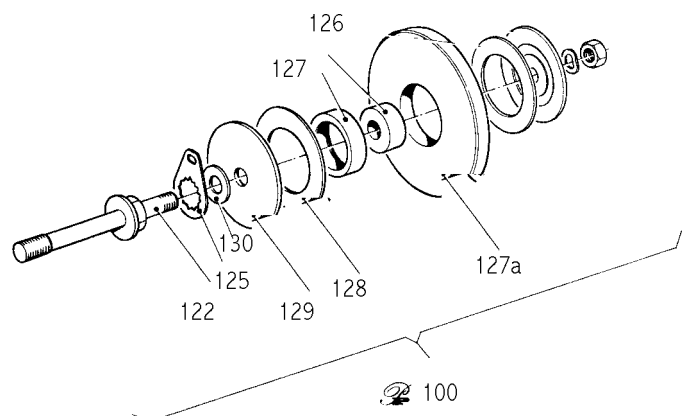
for US model:

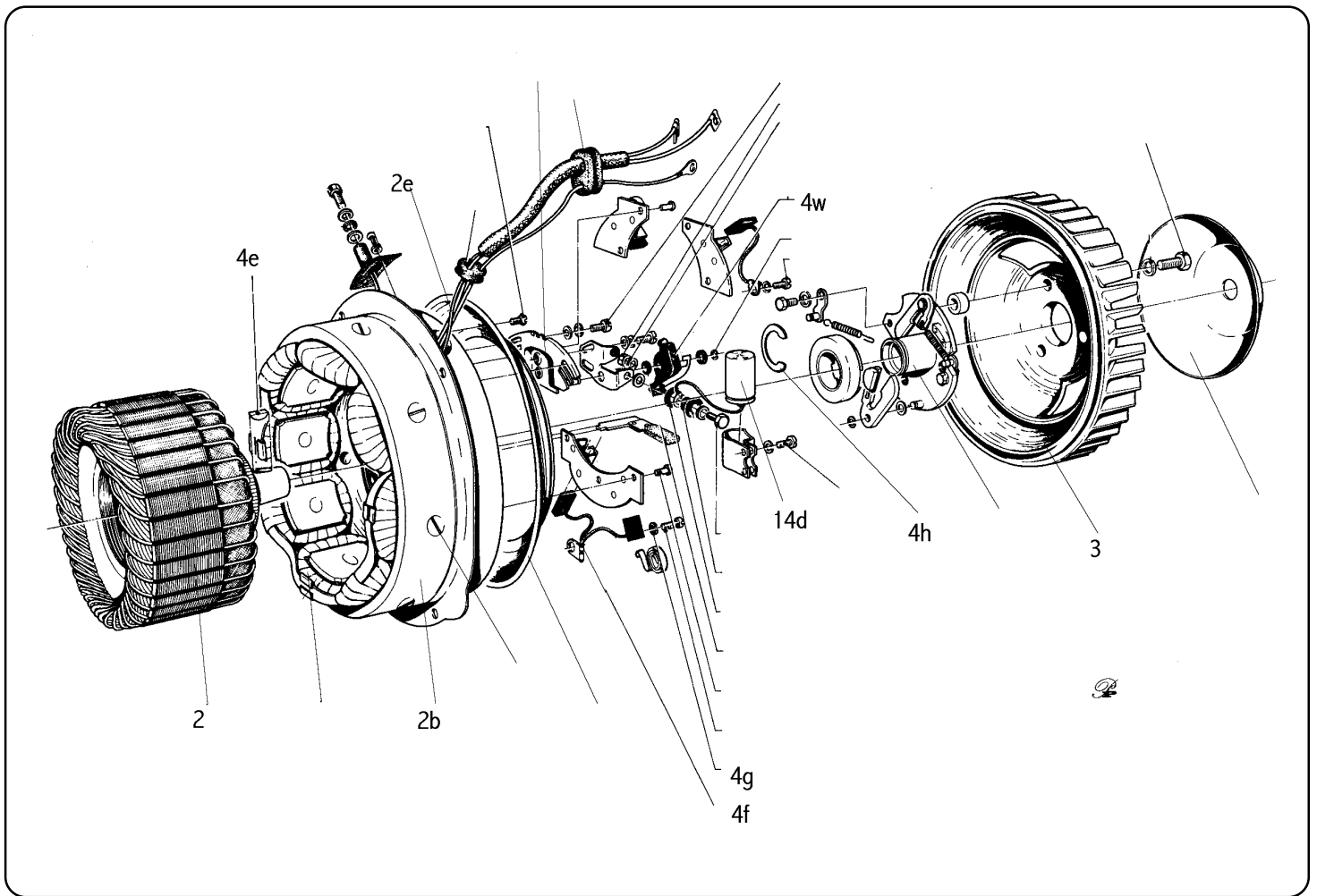
6E 81	O	wiring harness front with s/s hose	1	154.00
6E 82	O	wiring harness front	1	124.00
6E 83	O	wiring harness rear	1	132.00

for german model:

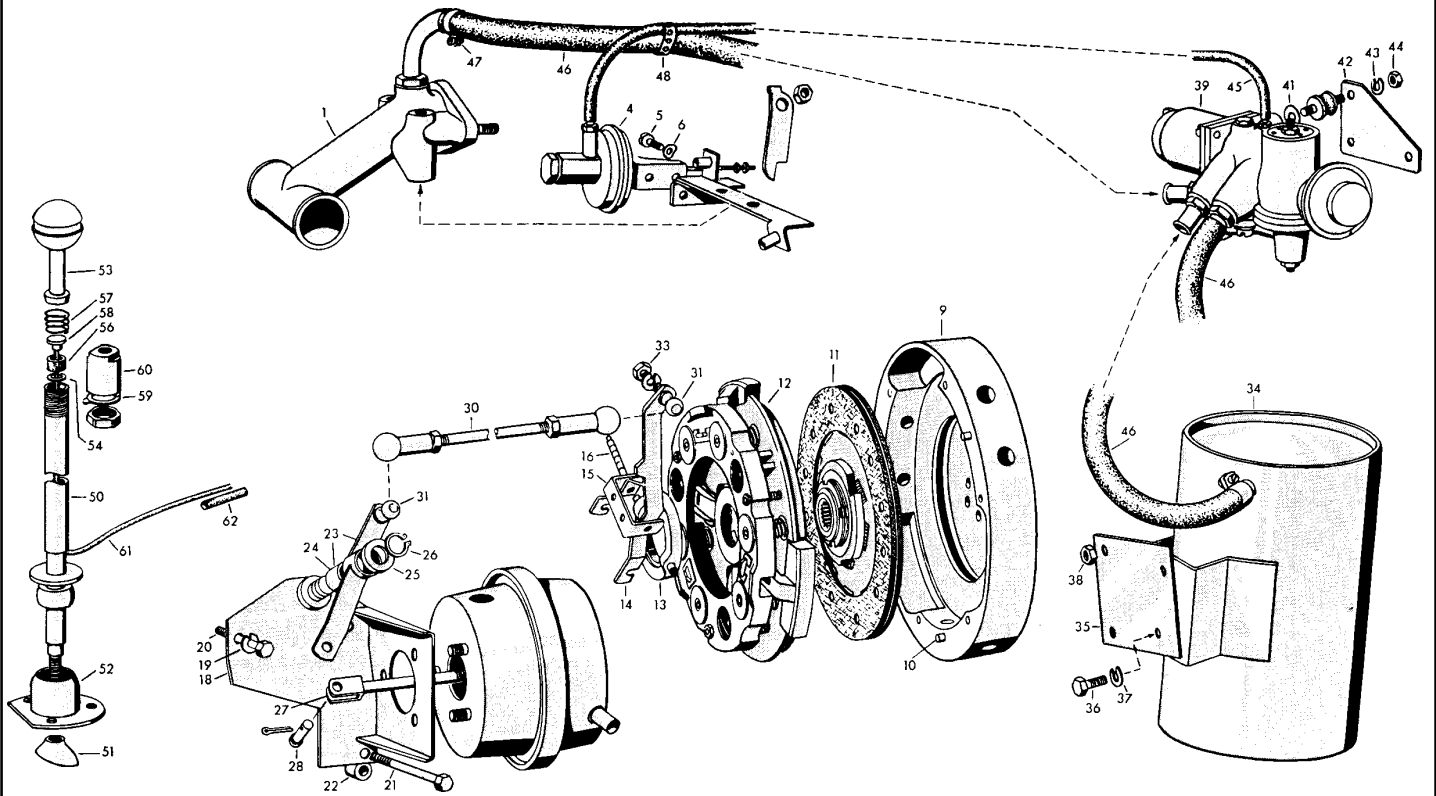
6E 81b	O	wiring harness front with s/s hose	1	154.00
6E 82b	O	wiring harness front	1	124.00
6E 83b	O	wiring harness rear	1	132.00

6E100	O	vibration damper cpl. unit	1	99.00
6E122	O	screw for vibr. damper	1	13.80
6E125	O	lock plate	1	3.65
6E126	O	bushing	1	5.80
6E127	O	rubber ring	1	7.20
6E127a	O	big steel ring	1	32.00
6E128	O	pertinax washer	2	13.80
6E129	O	aluminium washer	2	13.70
6E130	O	washer	1	1.30



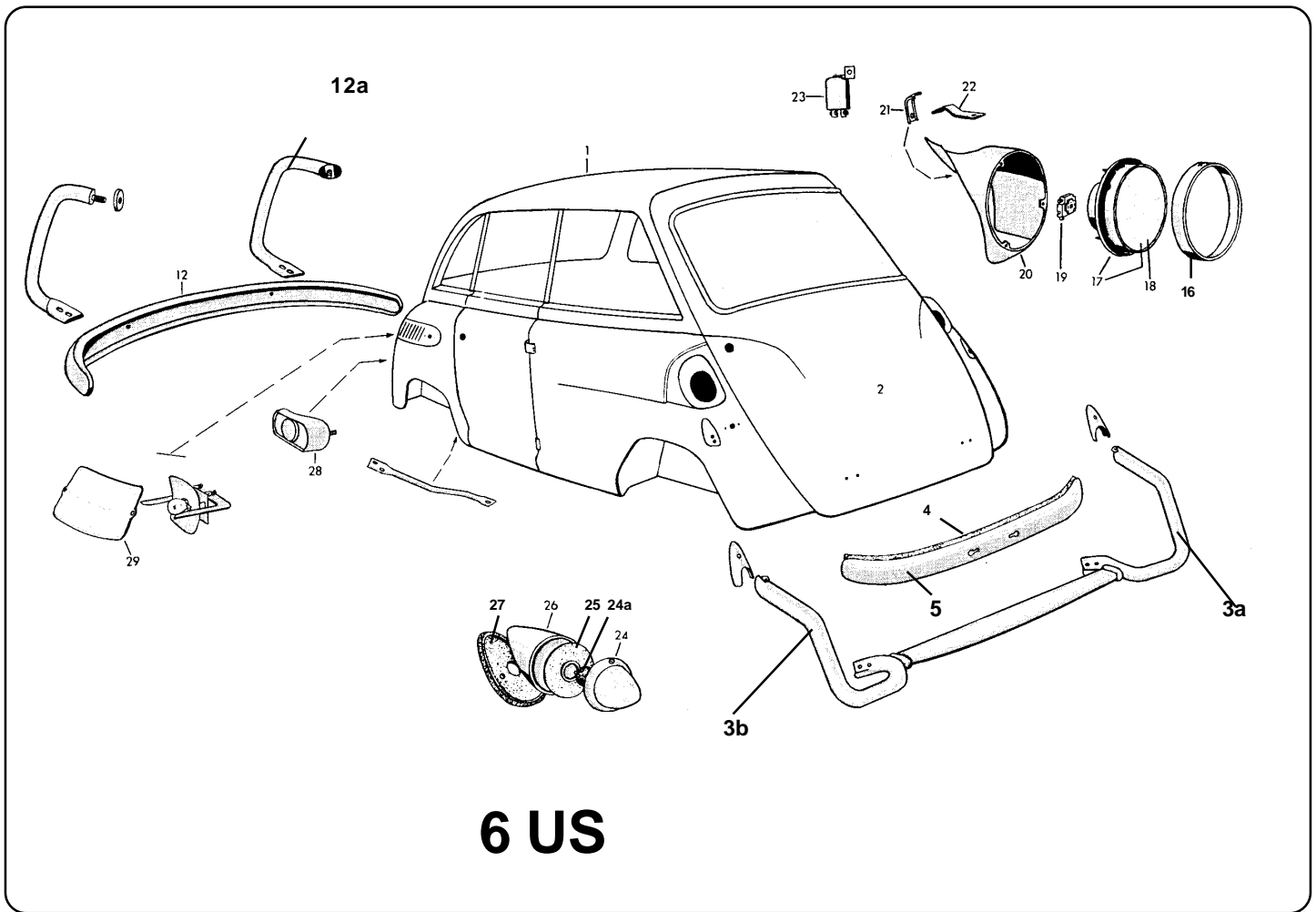


6E 2	O	new armature	1	498.00
6E 2g	EX	armature exchange	1	298.00
6E 2a	U	armature used	1	179.00
6E 2c	O	woodruff key	1	2.20
6E 2b	O	stator new	1	598.00
6E 2d	U	stator used	1	198.00
6E 2e	O	wiring harness to engine	1	24.50
6E 2f	O	grommet	1	4.80
6E 3	U	cooling fan used	1	61.00
6E 4b	O	screw	1	14.80
6E 4c	O	screw	1	0.30
6E 4d	O	screw	1	0.30
6E 4e	O	woodruff key	1	1.30
6E 4f	O	set of 4 carbon brushes	1	13.40
6E 4g	O	spring	4	5.10
6E 4h	O	lock ring	1	1.70
6E 4 w	O	breaker points	1	12.40
6E 4p	O	plate with breaker points	1	39.50
6E 5	O	ignition coil 6V 40mm diameter	2	54.80
6E 5c	O	clamp 40 mm for coil	2	6.30
6E 5b	O	spark plug	2	3.90
6E 5d	P	ignition coil 6V 55m diameter	2	48.00
6E 6	O	regulator switch BOSCH	1	598.00
6E 6b	O	regulator switch NOSSO	1	348.00
6E 6c	P	regulator, very big and strong	1	224.00
6E 6e	O	grommet 3 holes	1	4.60
6E 7	O	ignition cable	2	2.40
6E 8	O	ignition cable plug	2	4.50
6E 8b	O	coil for starter	4	31.50
6E 8e	O	coil for light	4	31.00
6E 9	O	rubber plug	2	3.20
6E 11	O	screw	4	0.35
6E 14a	O	screw for armature	1	9.80
6E 14b	O	washer	1	1.80
6E 14d	O	condenser without holder	1	6.80
6E 14e	P	condenser with holder	1	7.80
6E 14f	O	starter cable	1	14.60



SAXOMAT

no parts available



6US3a	O	nerf bar LH chrome plated	1	354.00
6US3b	O	nerf bar RH chrome plated	1	354.00
6US3a	O	nerf bar LH chrome plated	1	354.00
6US3b	O	nerf bar RH chrome plated	1	354.00
6US 4	O	profile	1	14.80
6US 5	O	front bumper chrome plated	1	372.00
6US12	O	rear bumper chrome plated	1	459.00
6US12a	O	nerf bar LH chrome plated	1	354.00
6US12b	O	nerf bar RH chrome plated	1	354.00
6US16	O	7" trim ring		will come
6US 20	U	headlight housing for US model, 7", used, please tell me: left or right side!	2	64.00
6US24	O	front indicator lens	2	36.50
6US24a	O	bulb holder	2	21.00
6US24b	O	screw s/s	2	0.50
6US24c	O	bulb 21/5 W	2	2.90
6US25a	O	rubber pad grey	2	13.40
6US25b	O	rubber pad black	2	13.40
6US26	U	light housing used	2	32.00
6US27a	O	rubber pad grey	2	15.20
6US27b	O	rubber pad black	2	15.20
6US28a	O	reflector US LH	1	51.00
6US28b	O	reflector US RH	1	51.00
6US29a	O	lens red/red LH	1	31.00
6US29b	O	lens red/red RH	1	31.00



